

1. PRECAUTION

Please read through this Manual before use of the transformer correct handling. Please keep this Manual carefully after use. This transformer has been thoroughly tested at the factory before shipment. When you receive it, visually inspect it for damage.

① Model number and specifications check

Check to see model number and specifications on the plate attached to outer side of the case are as ordered.

② Contents of instruction manual

This instruction manual provides instructions on handling, external wiring and safety use of the separate type transformer.

2. GENERAL

CTU100 is separate type CT enabling to cut installation labor cost comparing with use of existing transformer. Especially, this transformer can make installation without cut of wiring for existing equipment. This transformer is used for general instrumentation. Since this unit is not passed the inspection carried out by designated organization, it cannot be used for usage required certificate of electric energy, etc.

3. INSTALLATION METHOD

External drawing is as shown in Fig.1. As for installation, remove upper portion of the separate and place bottom portion to back of wiring of measuring object while ensuring the wiring direction of (K→L) and fix it at the place easy to fix.

After completion of output wiring, install upper portion of the separate and fix it with screws.

4. EXTERNAL WIRING

CAUTION Wiring should be done after ensuring power break of cable.

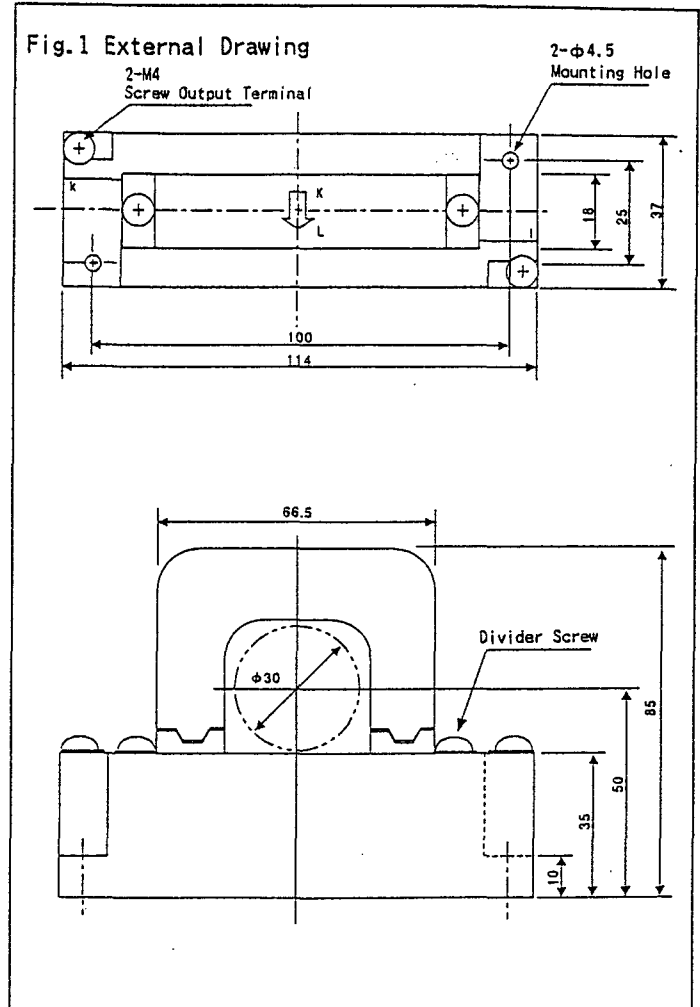
For output wiring, flexible twisted wire and good contact of durable round crimp-on terminals are recommended to be used.

- Transformer has polarities on primary and secondary sides respectively. Installation and wiring to wrong polarities cannot make precise measurement of electric power, etc.

- Signal cable having more than 1.25mm² of nominal cross-sectional area of conductor are recommended.

- Terminal screws are M4. Use suitable crimp-on terminal for M4 screw.

- Connect output signal to K, l and also to transmitter. Check to see ON (Short) as a loop.



5. INSTSLLATION PLACE AND HANDLING

- ① Avoid installation in such environment as shock, vibration, corrosive gas, dust, water, oil, solvent, direct sunlight, radiation, powerful electric and magnetic fields.
Temperature : -20~60°C
Humidity : 5~90%RH (no condensation)
- ② Use transformer at less than rating load. Calculation of load should add load of adjacent instruments on load of secondary side of transformer.
- ③ Tighten transformer core firmly by cramp band (U Type belt)
- ④ Do not touch terminals.
- ⑤ Secondary side terminal of transformer should be grounded.

CAUTION



- For safety use of this transformer, be cautious for handling before and after installation.
- Do not install the transformer ON power line during secondary side is OPEN which may cause burning.
To make secondary side open, check to see power line OFF or remove divider portion.
- After wiring, do not touch screw terminal and U type portion.

Subject to change without notice for grade up quality and performance.